

## Eco Preparation 1400 mm Work Table on Wheels

ITEM # \_\_\_\_\_

MODEL # \_\_\_\_\_

NAME # \_\_\_\_\_

SIS # \_\_\_\_\_

AIA # \_\_\_\_\_



132838 (WTD1407NR)

Work Table with wheels,  
1400mm (H=900)

### Short Form Specification

**Item No.** \_\_\_\_\_

Worktop in 304 AISI stainless steel with upturned edges and under panel made of sound deadening material. Square section legs 40x40mm in 304 AISI stainless steel on wheels. Delivered disassembled.

### Main Features

- The high of the table is 900mm with the wheels for a perfect alignment with all other units and for easy movement of pots and pans through the equipments in the kitchen.
- Mounted on 4 swiveling castors, 2 with brakes.
- Sturdiness, stability and reliability of table accurately tested.

### Construction

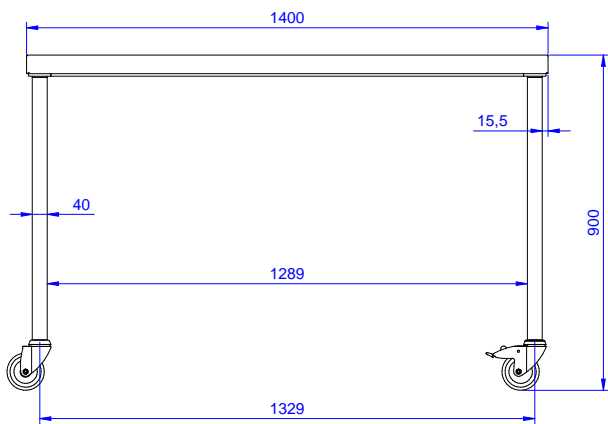
- Constructed entirely in stainless steel to offer maximum durability.
- Wide range of taps are available to suit every need.

### Optional Accessories

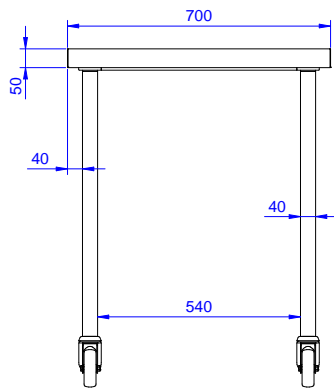
- Lower shelf for 1400mm tables and sinks PNC 855146
- 3-sided underframe for 1400mm tables PNC 855153

APPROVAL: \_\_\_\_\_

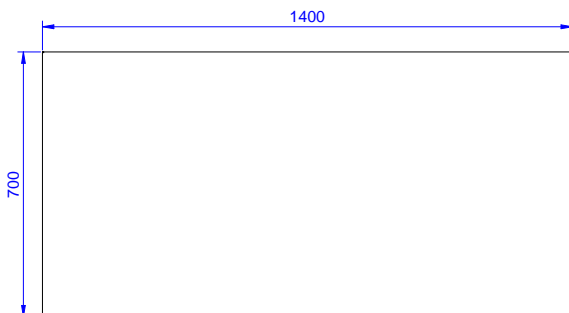
Front



Side



Top



**Water:**

Water drain outlet size:

**Key Information:**

External dimensions, Width:	1400 mm
External dimensions, Depth:	700 mm
External dimensions, Height:	900 mm
Bowls number	
Bowl dimensions	
Worktop thickness:	50 mm
Net weight:	47 kg